

PASSIVE INFRARED SENSOR



PA-7100E: Round type

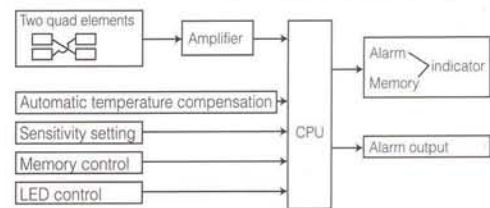


360° Radial Protection



DIGITAL TWO QUAD PASSIVE INFRARED SENSOR

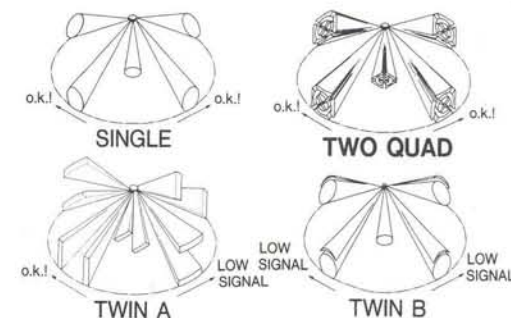
GENERAL DESCRIPTION



TAKEX original CPU controls all of sensor functions including signal processing and calculation work.

TWO QUAD (OCTA-) ELEMENT

360° sensor has been developing from single type to twin type in quest of function reliability. On the other hand, in a process of the evolution, various problems such as scattered sensitivity or zone direction have been caused and general twin sensors have been remedied by means of forcing twin sensors into forming signal zone. PA-7100E has got over such problems with completely new concept — two quad (octa-) element sensor. As PA-7100E is signal processing in common with the other PA-7000E series sensors, so PA-7100E has raised discrimination of external disturbances and attained to uniform high sensitivity in every area.



ALARM MEMORY

Unit contains special circuitry to indicate that it has activated an alarm during its armed period.

REMOTE CONTROL LED

Allows the walk test LED to be enabled/disabled remotely through a control panel.

EXCELLENT RFI, EMI IMMUNITY

LOWER POWER CONSUMPTION

15mA (with 12V DC supplied).

AUTOMATIC TEMPERATURE COMPENSATION CIRCUIT

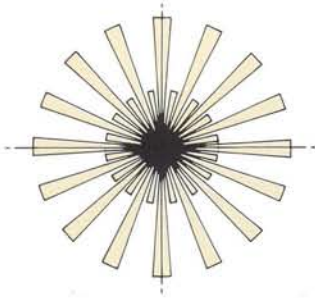
Sensitivity of the unit is automatically adjusted relative to the environmental temperature. The sensitivity becomes maximum at body temperature range and decreases when the temperature differential changed either higher or lower. This eliminates the need for seasonal manual adjustments.

PASSIVE INFRARED SENSOR

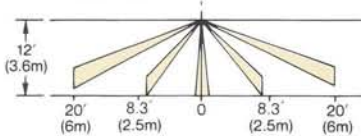
■ COVERAGE

PA-7100E(Round Type)

● TOP VIEW

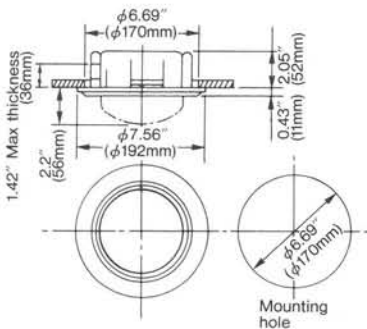


● SIDE VIEW

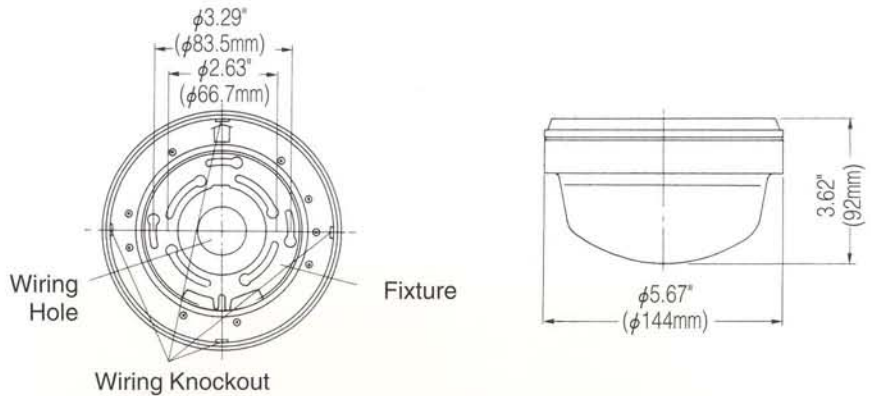


■ OPTIONAL

- Flush mount attachment (BU-7000)

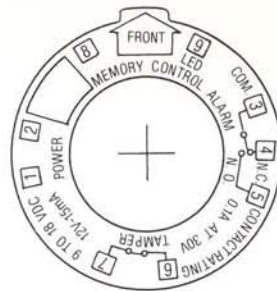


■ EXTERNAL DIMENSIONS (Unit:inch(mm))



■ TERMINAL ARRANGEMENT

[Terminal arrangement-base]



- 1 2 Power Input
Input Voltage is 9~18VDC.
(non-polarity)
- 3 4 5 Alarm output
When no alarm is present, there is continuity between COM-NC.
When an activation occurs, there is continuity between COM-NO.
- 6 7 Tamper output
When the cover is attached, there is continuity.
When the cover is removed, there is no continuity.
- 8 Refer to "MEMORY FUNCTION"
- 9 Refer to "LED CONTROL"

■ SPECIFICATIONS

Model	PA-7100E
Area	Round type (360° coverage)
Coverage	40' (12m) dia. at 12' (3.6m)
Number of sensitive zone	264 (33 sets.)
Mounting position	Indoor ceiling within 12' (3.6m)
Supply voltage	9V to 18V DC(non-polarity)
Power consumption	15mA (at 12V), 20mA (at aim adjustment)
Alarm output	0.1A, 30V, 1c Reset: 2sec. ±1sec.
Tamper output	0.1A, 30V, 1b
Ambient temperature range	+14°F to +122°F (-10°C to +50°C)
Memory function	Control at terminal 8 : Lights up for memory indication
LED control	Control at terminal 9 or built-in switch
Weight	11.6 oz (330g)

Please note : This sensor is designed to detect intrusion and to initiate an alarm ; it is not a burglary-preventing device.TAKEX is not responsible for damage, injury or losses caused by accident, theft, Acts of God (including inductive surge by lightning), abuse,misuse,abnormal usage, faulty installation or improper maintenance.

LEAF 07-04P4-6

TAKEX

In Japan

Takenaka Engineering Co., Ltd.
83-1, Gojo-sotokan,
Higashino, Yamashina-ku,
Kyoto 607-8156, Japan
Tel : 81-75-501-6651
Fax : 81-75-593-3816

<http://www.takex-eng.co.jp/>

In the U.S.

Takex America Inc.
230E, Caribbean Drive
Sunnyvale,
CA 94086, U.S.A.
Tel : 408-747-0100
Fax : 408-734-1100

<http://www.takex.com>

In Australia

Takex America Inc.
Unit 16/35 Garden Road,
Clayton 3168 Victoria,
Australia
Tel : 03-9546-0533
Fax : 03-9547-9450

Takex America Inc.
Brisbane office : 1/50 Logan
Road,Woolloongabba
Queensland
4102, Australia
Tel : 07-3891-3344
Fax : 07-3891-3355

In the U.K.

Takex Europe Ltd.
Takex House, Aviary Court,
Wade Road, Basingstoke,
Hampshire, RG24 8PE, U.K.
Tel : (+44)01256-475555
Fax : (+44)01256-466268
<http://www.takexeuropa.com>