

TAKEX

ACTIVE INFRARED DOOR SENSOR

ACTIVE INFRARED DOOR SENSOR

DA-6500E for high performance doors



• Remote controller
(Optional) DA-6500R

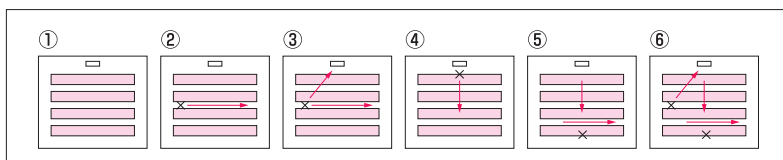
DA-6500E equipped with directional sensitivity feature can be fit for various types of high performance doors
Installation height range: 6.6ft. to 21.3ft. (2m to 6.5m)

Large and high-density detection area

- The unit offers a high-density protection field (1 to 5 rows). Each row consists of 12 beams (60 beams in total).
- The unit also can offer high and large detection area. (H6.5m X W6.5m X D3.3m / H21.33ft. X W21.33ft. X D10.83ft.)

Directional detection function

- The unit is direction conscious.
- A choice of six directional detection patterns can be selected.
 - ① Detect all directions.
 - ② Ignore approaches from side directions.
 - ③ Ignore approaches from side and diagonal directions.
 - ④ Ignore movements away from the door.
 - ⑤ Ignore approaches from side directions and movements away from the door.
 - ⑥ Ignore approaches from side and diagonal directions and movements away from the door.



Remote controller DA-6500R is available (Optional)

- Remote controller enables easy functional settings when the unit is installed in high positions. (Except pattern angle adjustment)

Detection pattern adjustment

- Pattern width is adjustable with the area adjustment gears for right and left areas independently.
- Pattern depth is adjustable with the area adjustment screw and by cutting rows.

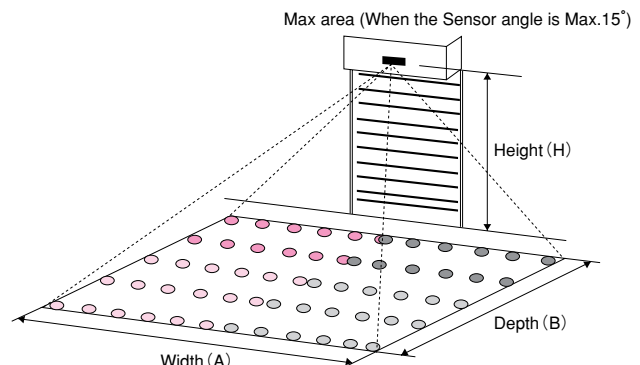
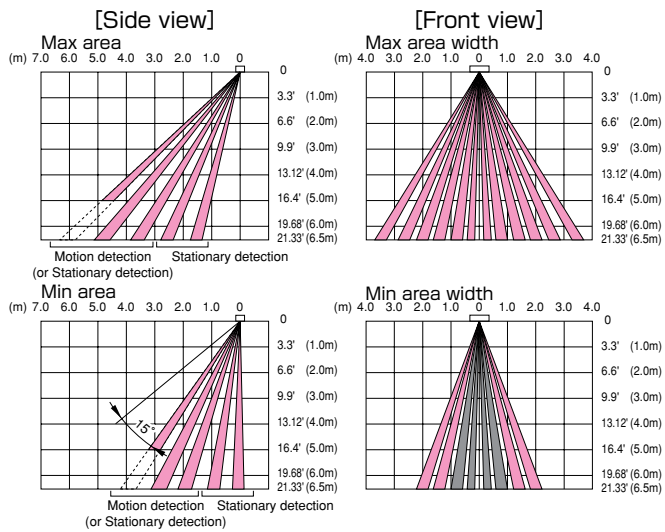
Stationary detection

(Motion detection + Stationary detection)

- The unit offers stationary detection for 1 and 2 rows.
- Stationary detection timer is selectable between 2sec., 60sec., 10min and ∞.
- Either motion detection or stationary detection can be selected for 3 to 5 rows.

AUTO DOOR SENSOR

PATTERN



Detection area

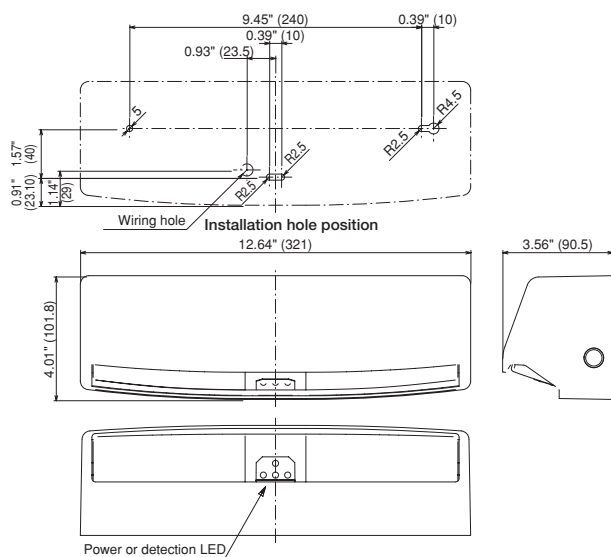
Height (H)	6.6' (2.0m)	9.9' (3.0m)	13.12' (4.0m)	16.4' (5.0m)	21.33' (6.5m)
Width (A) ^{*1}	6.9' (2.1m)	10.2' (3.1m)	13.78' (4.2m)	17.39' (5.3m)	22.64' (6.9m)
Depth (B)	5.9' (1.8m)	8.86' (2.7m)	11.81' (3.6m)	10.56' (3.2m) ^{*2}	13.78' (4.2m)

*1 Width(A) Shows that of the first row.

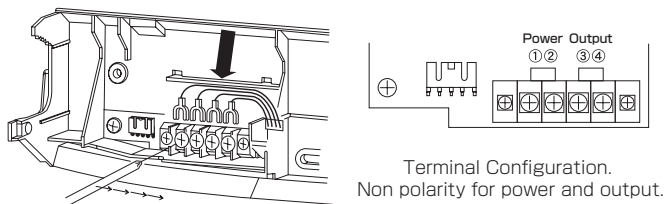
*2 The farrest row (5th) should be eliminated at 16.4ft. (5m) or higher.

※When the product is installed at higher than 16.4ft. (5.0m), eliminate row 5.

EXTERNAL DIMENTIONS [Unit : inch(mm)]



WIRING CONNECTION



SPECIFICATIONS

Model	DA-6500E	
Detection system	Near infrared reflection type	
Installation height	6.6ft. to 21.33ft. (2.0m to 6.5m)	
Sensitivity	Sensitivity adjustable for 6 steps with a remote controller or push switches Enable or disable environmental mode with a remote controller or push switches Automatic sensitivity adjustment function	
Pattern adjustments	Pattern depth	Adjustable with the area adjustment screw (Adjustable angle from 0° to 15°) or Activate/Inactivate row 3,4 and 5.
	Pattern width	Adjustable with the area adjustment gears (Adjustable separately for right and left area from 0° to 10°) or cut two outer zones for right and left area with a remote controller or push switches.
Power source	12 to 24V AC/DC ±10%	
Current consumption	2.8 VA for 24V AC	2.8VA for 12V AC
	90mA for 24V DC	180mA for 12V DC
Output	Dry contact relay output N.O. 50V DC: 0.1A (Resistive load)	
Output holding time	Approx. 0.5 seconds	
Presence timer	Selectable for 2sec., 60sec., 10min. or ∞	
Directional detection	Selectable for following six patterns. ① Detect all directions ② Ignore approaches from side directions ③ Ignore approaches from side and diagonal directions ④ Ignore movements away from the door ⑤ Ignore approaches from side directions and movements away from the door. ⑥ Ignore approaches from side and diagonal directions and movements away from the door.	
Operation LED	Red LED lights at detection. Green LED lights for standby. Green and red LED light alternately when detecting shutter. Yellow LED blinks for trouble alarm.	
Ambient temperature	-20°C to +60°C	
Weight	830g	
Appearance	Silver	

Model	DA-6500R (Remote controller for DA-6500E)
Detection distance	Transmission distance 7m or shorter
Power	AAA battery 2 pcs
Battery life	2 years
Ambient temperature	0°C to 45°C

Please note : This sensor is designed to detect intrusion and to initiate an alarm; it is not a burglary prevention device.
TAKEX is not responsible for damage, injury or loss caused by accident, theft, Acts of God (including inductive lightning surges), abuse, misuse, abnormal usage, faulty installation or improper maintenance.

TAKEX

In Japan

Takenaka Engineering Co.,Ltd.
83-1, Gojo-sotokan,
Higashino, Yamashina-ku,
Kyoto 607-8156, Japan
Tel : 81-75-501-6651
Fax : 81-75-593-3816
<http://www.takeeng.co.jp>

In the U.S.

TakeAmerica Inc.
3350, Montgomery Drive,
Santa Clara,
CA 95054, U.S.A.
Tel : 408-747-0100
Fax : 408-734-1100
<http://www.takeam.com>

In Australia

Take America Inc.
Unit 16, 35 Garden Road,
Clayton 3168, Victoria,
Australia
Tel : 03-9546-0533
Fax : 03-9547-9450

Take America Inc.
Brisbane office: 1/50 Logan
Road, Woolloongabba
Queensland
4102, Australia
Tel : 07-3891-3344
Fax : 07-3891-3355

In the U.K.

Take Europe Ltd.
Take House, Aviary Court,
Wade Road, Basingstoke,
Hampshire. RG24 8PE, U.K.
Tel : (+44)01256-475555
Fax : (+44)01256-466268
<http://www.takeeurope.com>