

# MICROWAVE SENSOR

MW-100AL

MW-100AH



The TAKEX microwave sensor is especially designed for outdoor protection. K band microwave sensor achieve high stability in severe weather conditions.

---

#### HIGH RELIABILITY

24.1 GHz of microwave sensor reduces false alarms caused by severe weather conditions such as heavy fog, snowfall or rain.

---

#### TWO FREQUENCIES (H) and (L) SELECTION

Two models are available with different frequencies, MW-100AH and MW-100AL.

---

#### ADJUSTMENT MODE SWITCH

With adjustment mode switch, monitor output voltage (beam reception level) can be checked speedily.

---

#### LED

- Transmitter : Green LED ON when transmitting a signal
- Receiver : Red LED ON at alarm

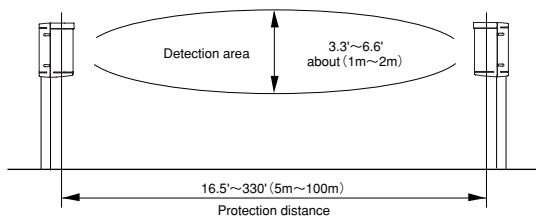
---

#### OTHER FEATURES

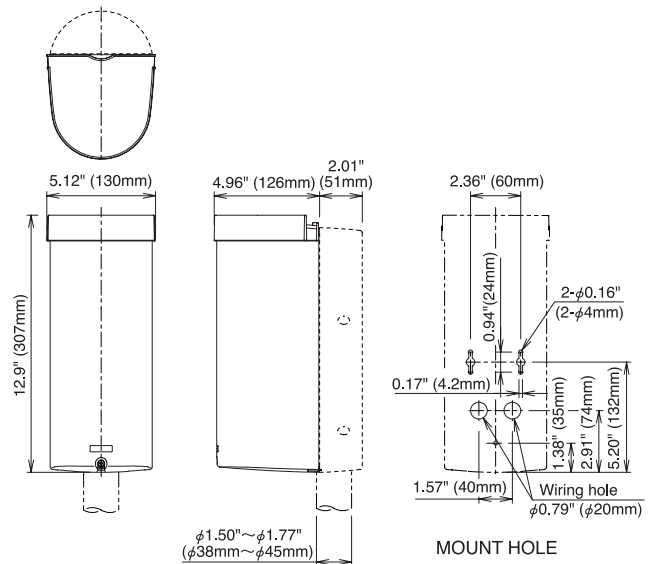
- Automatic Gain Control circuit
- Response time adjustment
- Antennae directional adjustment (horizontally  $\pm 90^\circ$ , vertically  $\pm 10^\circ$ )
- Monitor jack output
- Pole or wall mount

# MICROWAVE SENSOR

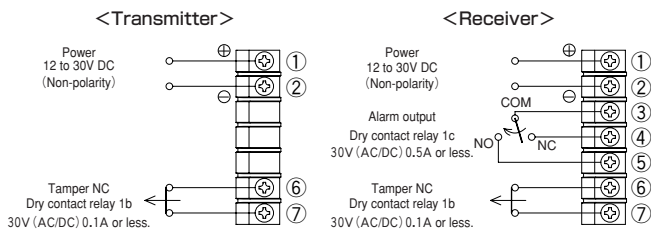
## ■ COVERAGE



## ■ EXTERNAL DIMENSIONS (Unit : inch(mm))



## ■ TERMINAL ARRANGEMENT



## ■ SPECIFICATIONS

Type	Microwave sensor	
Model	MW-100AL	MW-100AH
Protection distance	16.5ft. (5m) to 330ft. (100m)	
Max. arrival distance	Microwave : approx. 330ft. (100m)	
Microwave	(L) 24.11GHz	(H) 24.17GHz
Detection system	Microwave	
Response time	Microwave : 40msec. to 300msec. (Variable at pot)	
Alarm signal	Dry contact relay output 1C N/O and N/C Contact action : Interruption time output Contact capacity : 30V (AC/DC) 0.5A or less.	
Supply voltage	12 to 30V DC	
Power consumption	100mA ● Transmitter : 50mA ● Receiver : 50mA	
Tamper signal	Dry contact output 1b (N/C) Contact capacity : 30V (AC/DC) 0.1A	
Alarm LED (Receiver)	Red LED Lighting at alarm	
Transmission LED (Transmitter)	Green LED Lighting at sending signal	
Functions	Monitor output, Adjustment mode switch	
Ambient temperature range	-13°F to +140°F (-25°C to +60°C)	
Weight	Transmitter 32.6oz (930g)	Receiver 34.3oz (980g)
Appearance	PC resin (Wine red)	

\*The specifications are subject to change without notice.

## ■ OPTIONAL

- Pole cover BP-100MW



**Please Note** : This sensor is designed to detect intrusion and to initiate an alarm; it is not a burglary or a device. TAKEX is not responsible for damage, injury or loss caused by accident, theft, Acts of God (including inductive lightning surges), abuse, misuse, abnormal usage, faulty installation or improper maintenance.

# TAKEX

### In Japan

Takenaka Engineering Co., Ltd.  
83-1, Gojo-sotokan,  
Higashino, Yamashina-ku,  
Kyoto 607-8156, Japan  
Tel : 81-75-501-6651  
Fax : 81-75-593-3816  
<http://www.takex-eng.co.jp>

### In the U.S.

Takex America Inc.  
3350, Montgomery Drive,  
Santa Clara,  
CA 95054, U.S.A.  
Tel : 408-747-0100  
Fax : 408-734-1100  
<http://www.takex.com>

### In Australia

Takex America Inc.  
Unit 16, 35 Garden Road,  
Clayton 3168 Victoria,  
Australia  
Tel : 03-9546-0533  
Fax : 03-9547-9450

Takex America Inc.  
Brisbane office : 1/50 Logan  
Road, Woolloongabba  
Queensland  
4102, Australia  
Tel : 07-3891-3344  
Fax : 07-3891-3355

### In the U.K.

Takex Europe Ltd.  
Takex House, Aviary Court,  
Wade Road, Basingstoke,  
Hampshire, RG24 8PE, U.K.  
Tel : (+44) 01256-475555  
Fax : (+44) 01256-466268  
<http://www.takexeurope.com>