

FLAME SENSOR

FS-5000E (DC 12V)

**HIGH SENSITIVITY
FOR OUTDOOR USE**



FLAMES DO NOT WAIT ! FS-5000E DETECTS "FLAME" BEFORE IT GROWS INTO "FIRE".
DETECTS SMALL FLAMES IMMEDIATELY ! AN EPOCHAL ULTRAVIOLET RAY DETECTION
FLAME SENSOR THAT CAN BE USED OUTDOORS.

GENERAL DESCRIPTION

Flame sensor FS-5000E immediately detects ultraviolet rays contained in flames and activates an external output.

The weather proof construction of the housing allows for use outdoors. It can be widely used for fire prevention in areas where fire is prohibited.

8 SELECTABLE SENSITIVITY LEVELS

* 2 sensitivity settings H & L

* 4 detection timer settings : 1 sec., 6 sec., 15 sec., 30 sec.
reduce possibility of false alarms.

The set up can be selected from the 8 levels according to the environment of the installation.

Area masking enables elimination of unnecessary detection areas.

A WHITE BODY THAT MATCHES ANYWHERE

The aesthetically pleasing white housing blends well with most surroundings. The unique ball lock mechanism allows adjustment of the detection area after installation.

CONVENIENT FUNCTIONS

● Alarm memory function

The memory indication function enables identification of individual sensors in multiple sensor on figuration.

After raising an alarm, the memory indication LED blinks for 3 minutes and then lights for 47 minutes.

● Day/night time discernment function

By adjusting the operation mode control switch, the output operation can be controlled according to the ambient light level.

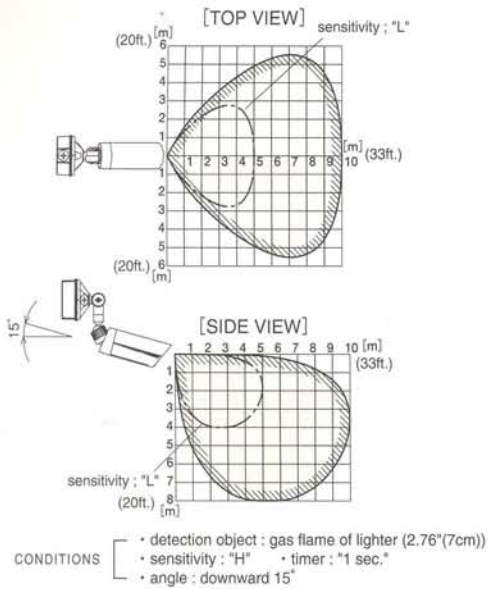
Selectable for night time only. (5 lux - ∞ lux)

● Output time set up

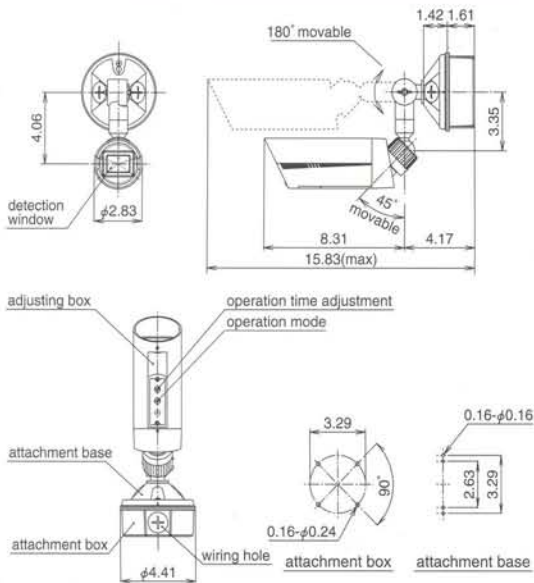
The time of detection output operation can be adjusted by a switch [off delay selectable approx. 2 sec. - 1 min. or approx. 5 sec. - 10 min.]

FLAME SENSOR

DETECTION AREA



EXTERNAL DIMENSIONS (Unit : inch)



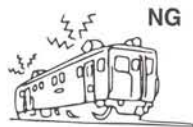
SPECIFICATIONS

Product name	Flame sensor	
Model no.	FS-5000E	
Detection system	Ultraviolet rays detection (Detected wave length <85 to 260nm>)	
Detection area	Distance	33ft. (10m) [2.76"(7cm) flame]
	Angle	Vertical : approx. 75° (upward : 15°) Horizontal : approx. 100° (downward : 60°)
	Adjustment range	Vertical : downward 90° (horizontal - vertical) Horizontal : 180°
Sensitivity adjustment	Sensitivity	H(100%), L(50%) [selectable by switch]
	Detection timer	1sec., 6sec., 15sec., 30sec. [selectable by switch]
Power supply	DC10V - 30V (non-polarity)	
Power consumption	35mA or less	
Alarm output	<input type="checkbox"/> Dry contact relay Form C (alarm : open/close) Contact capacity : 30V (AC/DC) 0.5A or less (resistance load) Operation time : The following are selectable • Detection time + off delay operation approx. 2sec. - 1min. [adjustment] • Detection time + off delay operation approx. 5sec. - 10min. [volume]	
	Output operation : The following are selectable • Same time as above continuous output • Same time as above flashing output	
	Operation mode (day/night time discernment function) : 5lux (night time operation) - ∞lux (day time operation) [adjustment volume]	
	Alarm memory The memory indication LED blinks for 3 minutes and then lights for 47 minutes and automatically resets.	
LED	<input type="checkbox"/> Operation LED (red) : synchronous dry contact relay <input type="checkbox"/> Memory indication LED (yellow) : blinks for 3 minutes and then lights	
Wiring	Reed wiring Power supply (thin) : 2 / dry contact (thin) : 3	
Ambient temp. range	-4°F to +122°F (-20°C to +50°C)	
Installation	Indoor, Outdoor	
Weight	approx. 19.3 oz (550g)	
Appearance	Sensor part : PC resin (white) Adjustment, attachment part : AES resin (white)	
Accessories	• Tapping screw : 1 type $\phi 6 \times 30$ (SUS) 4 • Tapping screw : 2 types $\phi 4 \times 8$ -1 • Band : 1 • Area mask seal : 1	
Optional	Pole attachment (for the end) : BP-01 Pole attachment (for the middle) : BP-02 Vise :BP-03	

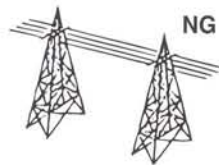
WARNING !

This product may detect other ultraviolet rays other than flames due to the high sensitivity of ultraviolet ray detection. Read the instruction manual before installation and follow the proper usage.

● Do not install near railways. The sparks from the pantograph may cause false detection.



● Do not install near high voltage power lines. The sparks from the pylon may cause false detection.



● Do not install near weld construction sites. The sparks may cause false detection.



Please Note : This sensor is designed to detect intrusion and to initiate an alarm; it is not a burglary-preventing device. PULNiX is not responsible for damage, injury or losses caused by accident, theft, Acts of God (including inductive surge by lightning), abuse, misuse, abnormal usage, faulty installation or improper maintenance.

LEAF 05-02E15-3

PULNiX

In Japan

Takenaka Engineering Co., Ltd
83-1, Gojo-sotokan,
Higashino, Yamashina-ku,
Kyoto 607-8156, Japan
Tel : 81-75-501-6651
Fax : 81-75-593-3816
<http://www.takex-eng.co.jp/>

In the U.S.

Pulnix Sensors Inc.
230 E. Caribbean Drive
Sunnyvale,
CA 94089, U.S.A.
Tel : 408-747-0100
Fax : 408-734-1100
<http://www.pulnixsensors.com/>

In Australia

Pulnix Sensors Inc.
Unit 16, 35 Garden Road,
Clayton, Victoria 3168,
Australia
Tel : 03-9546-0533
Fax : 03-9547-9450
<http://www.pulnixsensors.com.au/>

In the U.K.

Pulnix Europe Ltd.
Pulnix House, Aviary Court,
Wade Road, Basingstoke,
Hampshire. RG24 8PE, U.K.
Tel : 01256-475555
Fax : 01256-466268
<http://www.pulnix.co.uk/>