

PHOTOELECTRIC BEAM SENSOR

CE

PR-5B Indoor 5m (16.5ft.)



Utility model: 1, Design: 1 — Registered
 Utility model: 1 — Pending

The popular PR-5B reflector beam is now available in a white enclosure for a more unobtrusive installation. Furthermore, this new version is enhanced with extremely high immunity to external light.

REFLECTOR BEAM FOR SHORT DISTANCE PROTECTION

The PR-5B is designed for applications where a "beam break" sensor is desirable but running wire to both ends is impractical. Suggested applications include entrances and exits, corridors, staircases and as an annunciation device.

COMPACT SIZE AND SMART DESIGN

Super slim, pocket calculator sized unit is designed for unobtrusive installation.

Its new white enclosure blends well with virtually all environments.

EXCELLENT EXTERNAL LIGHT IMMUNITY

Our original design has been further enhanced by the addition of a new special filter which effectively eliminates interference from visible light rays.

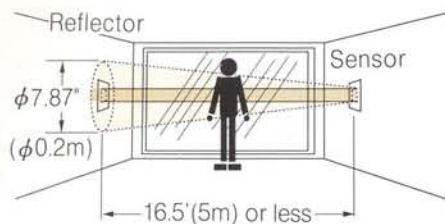
EASY INSTALLATION

The reflector allows up to 30°(±15°) angle variance in beam reception/reflection which makes installation very "forgiving" and can aid in situations where it is nearly impossible for the beam to reflect off the mirror "dead center".

- * Simple terminal arrangement provides for easy installation.
- * Wide range of supply voltage, 10.5V to 26V DC (non-polarity)
- * Flush mount plates available for both sensor and reflector (option), BP-5B, BP-5D, BP-5C
- * "L" brackets available for both sensor and reflector (option), BL-5

PHOTOELECTRIC BEAM SENSOR

COVERAGE



OPTIONAL

- Flush mount plate (for sensor)

BP-5B



BP-5D



- Flush mount plate (for reflector)

BP-5C



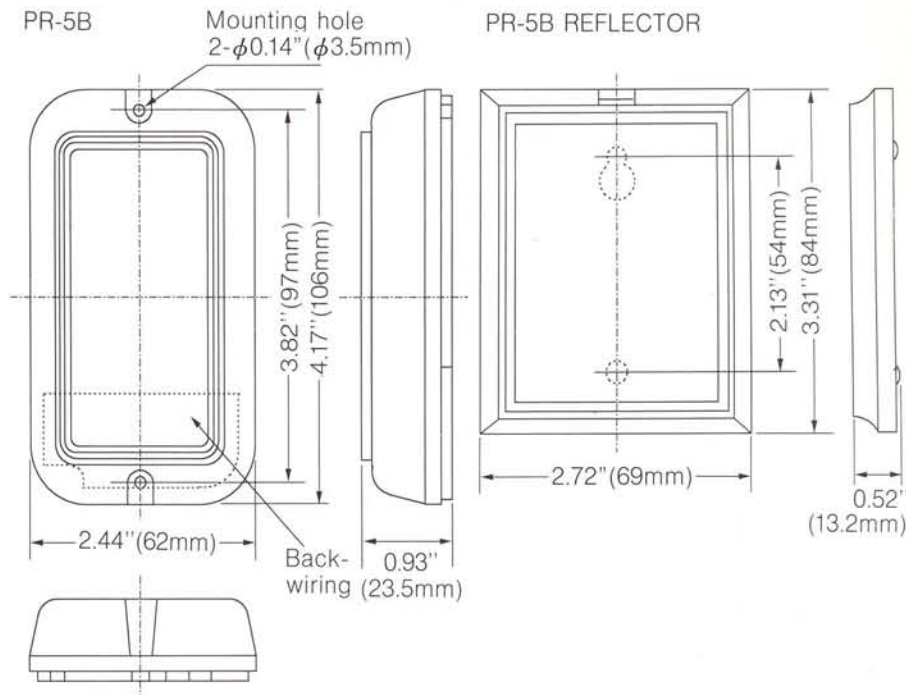
- L fittings

BL-5 (Stainless)

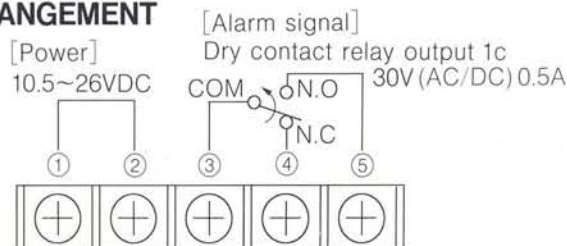


(for sensor/reflector)

EXTERNAL DIMENSIONS



TERMINAL ARRANGEMENT



SPECIFICATIONS

Photoelectric beam sensor	
Model	PR-5B
Protection distance	16.5' (5m)
Infrared beam	LED Wave length : 9400Å, Modulation: 500Hz
Response time	50-100 msec. or more
Alarm signal	Dry contact relay output 1c Interruption time + Delay time (approx. 1 sec.) Contact capacity: 30V (AC/DC) 0.5A
Supply voltage	10.5V to 26VDC (non-polarity)
Power consumption	37mA (at 12VDC)
Ambient temperature range	-4°F to +122°F (-20°C to +50°C)
Mounting position	Indoor (wall/pillar)
Wiring	Terminals
Weight	Sensor — 3.15 oz(90g), Reflector — 1.75 oz(50g)
Appearance	ABS resin (white)

Please Note : This sensor is designed to detect intrusion and to initiate an alarm, it is not a burglary-preventing device. TAKEX is not responsible for damage, injury or losses caused by accident, theft, Acts of God (including inductive surge by lightning), abuse, misuse, abnormal usage, faulty installation or improper maintenance.

LEAF 06-04R13-9

TAKEX

In Japan

Takekaka Engineering Co., Ltd.
83-1, Gojo-sotokan,
Higashino, Yamashina-ku,
Kyoto 607-8156, Japan
Tel : 81-75-501-6651
Fax : 81-75-593-3816
<http://www.takex-eng.co.jp/>

In the U.S.

Takek America Inc.
230E, Caribbean Drive
Sunnyvale,
CA 94086, U.S.A.
Tel : 408-747-0100
Fax : 408-734-1100
<http://www.takex.com>

In Australia

Takek America Inc.
Unit 16/35 Garden Road,
Clayton 3168 Victoria,
Australia
Tel : 03-9546-0533
Fax : 03-9547-9450

Takek America Inc.
Brisbane office : 1/50 Logan
Road, Woolloongabba
Queensland
4102, Australia
Tel : 07-3891-3344
Fax : 07-3891-3355

In the U.K.

Takek Europe Ltd.
Takek House, Aviary Court,
Wade Road, Basingstoke,
Hampshire, RG24 8PE, U.K.
Tel : (+44)01256-475555
Fax : (+44)01256-466268
<http://www.takexeurope.com>