

PHOTOELECTRIC BEAM SENSOR



PR-10B Indoor 10m (33')

PR-10BU Indoor 10m (33') Flush Mount



PR-10B
Utility model: 4, Design : 1-Registered



PR-10BU
(Flush mount)



The popular PR-10B reflector beam is now available in a white enclosure for a more unobtrusive installation. It is designed for applications where a "beam break" sensor is desirable but running wire to both ends is impractical. Suggested applications include entrances and exits, corridors, specific area and as an annunciation device.

ROTARY OPTICAL SYSTEM

Beam direction can be rotated a full 180° for installation adaptation.

EASY MAINTENANCE

Operation LED (red) and SA (Self-Adjustment) mechanism yield quick operation check and ensure good beam alignment. [Utility model registered]

HIGH SENSITIVITY TO REFLECTED BEAM

Receiver incorporates a differential calculus detection system which precisely "locks on" to the incoming reflected beam. [Utility model registered]

EASY INSTALLATION

Wire is run to the transmitter only. The reflector allows up to a 40° (± 20°) angle variance in beam reception/reflection which makes installation very "forgiving" and can aid in situations where it is nearly impossible for the beam to reflect off the mirror "dead center".

OTHERS

- * Alien-light rejection circuit
- * "L" bracket available for reflector (option)

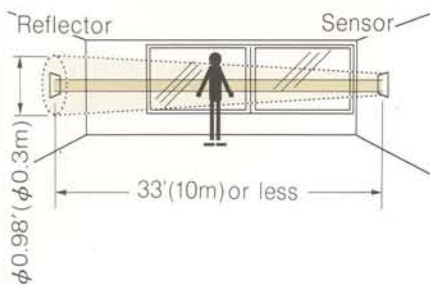
FLUSH MOUNT TYPE AVAILABLE (PR-10BU)

Inconspicuous flush mount PR-10BU is available.

Note: Use of the flush mount type unit eliminates the ability to rotate the optics.

PHOTOELECTRIC BEAM SENSOR

COVERAGE



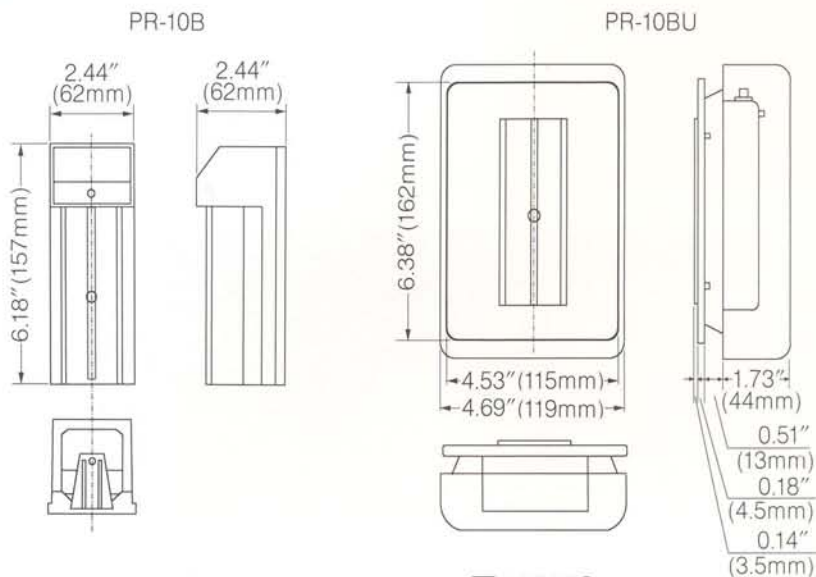
OPTIONAL

L fittings
BL-10 (stainless)



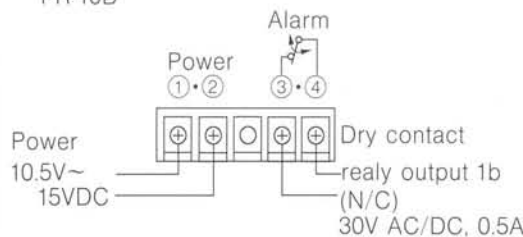
(for reflector)

EXTERNAL DIMENSIONS



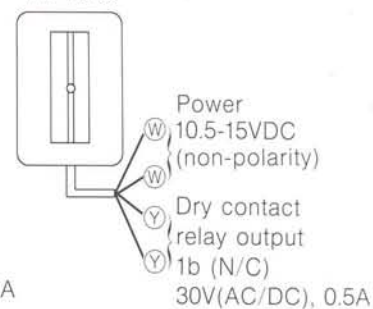
TERMINAL ARRANGEMENT

PR-10B



WIRING

PR-10BU



SPECIFICATIONS

Model	Photoelectric beam sensor	
	PR-10B	PR-10BU
Protection distance	33'(10m)	
Infrared beam	LED Wave length: 9400Å, Modulation: 500Hz	
Response time	50-100 msec. or more	
Alarm signal	Dry contact relay output 1b (N/C) Contact capacity: 30V (AC/DC), 0.5A	
Supply voltage	10.5VDC to 15VDC (non-polarity)	
Power consumption	30mA (at 12VDC)	
Ambient temperature range	-13°F to +131°F (-25°C to +55°C)	
Mounting position	Indoor (entrance, corridor)	
Wiring	Terminal	Lead wire
Weight	7.7 oz (220g)	16.8 oz (480g)
Appearance	ABS resin (white)	Duralumin plate

Please Note : This sensor is designed to detect intrusion and to initiate an alarm, it is not a burglary-preventing device. PULNiX is not responsible for damage, injury or losses caused by accident, theft, Acts of God (including inductive surge by lightning), abuse, misuse, abnormal usage, faulty installation or improper maintenance. Regular maintenance and inspection by installer and frequent testing by the user are vital to continuous satisfactory operation of any alarm system.

LEAF 05-02R14-5

PULNiX

In Japan

Takenaka Engineering Co., Ltd
83-1, Gojo-sotokan,
Higashino, Yamashina-ku,
Kyoto 607-8156, Japan
Tel : 81-75-501-6651
Fax : 81-75-593-3816
<http://www.takeeng.co.jp/>

In the U.S.

Pulnix Sensors Inc.
230 E. Caribbean Drive
Sunnyvale,
CA 94089, U.S.A.
Tel : 408-747-0100
Fax : 408-734-1100
<http://www.pulnixsensors.com/>

In Australia

Pulnix Sensors Inc.
Unit 16, 35 Garden Road,
Clayton, Victoria 3168,
Australia
Tel : 03-9546-0533
Fax : 03-9547-9450
<http://www.pulnixsensors.com.au/>

In the U.K.

Pulnix Europe Ltd.
Pulnix House, Aviary Court,
Wade Road, Basingstoke,
Hampshire. RG24 8PE, U.K.
Tel : 01256-475555
Fax : 01256-466268
<http://www.pulnix.co.uk/>