

Megapixel Day & Night Vandal Dome Network Camera



VD-100A Series

- H.264, MPEG-4 and MJPEG Triple Codec Compression
- Simultaneous Dual stream for Optimized Quality and Bandwidth
- Wide View Coverage
- Unique Profile Setting for Variable Environment
- Built-in IR Illuminator LEDs/Removable IR-cut Filter /Auto Light Sensor for Day and Night
- Built-in SD/SDHC Memory Card Slot for Local Storage
- High Power POE
- 3 Axis design
- IP67 Outdoor enclosure Built-in Fan and Heater

Network Equipments



PS-588I
8-port 10/100M POE Switch

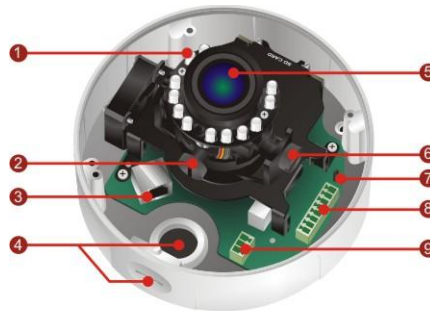


PS-7242IL-AF
24-port 10/100M POE Switch

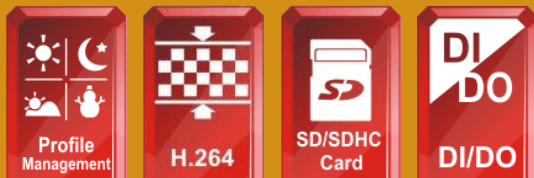
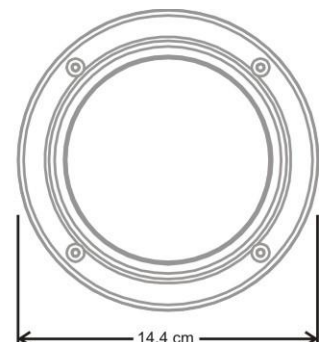
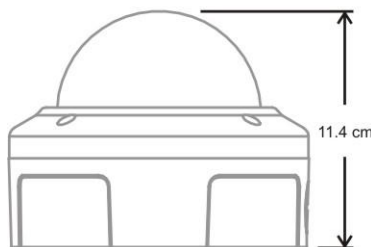


POE30U
PoE Injector

Dimension Diagram (VD-100Ap Series)



1. IR LED
2. Video Adjust Screw
3. RJ45 Connector (for Ethernet and High Power POE)
4. Conduit Plug and Hole
5. LENS
6. Tilt Screw
7. Reset Button
8. Terminal Block (for Audio in/out, DI/DO)
9. Terminal Block (for Power)
10. Focus Control Bar
11. View Angel Control Bar
12. SD Card Slot



VD-100A Series

Camera

Model Number **VD-100Ae** - Outdoor/ Megapixel/ IR LED/ 2 way Audio/ Ethernet/ POE/ DIDO/ Weather-Proof(IP67)
VD-100Ap - Outdoor/ Megapixel/ IR LED/ 2 way Audio/ SDHC/ Ethernet/ POE/ DIDO/ Weather-Proof(IP67)/ Build in Fan and Heater

Hardware System CPU: 500 MHz
Flash: 16M
RAM: 128M DDR (*)

Image Sensor Sensor Type : 1/4" CMOS Megapixel Sensor
Sensor Resolution : 1280 x 800 pixel
Minimum Illumination : 1 Lux / F1.6 (Without IR LED)
0 Lux / F1.6 (With IR LED)

Lens Lens Type : Moto-focal with Auto-Iris, IR corrective
Focal Length: f= 3.3~12 mm, 3.6X
View Angle (Hor): 63.6° ~17.9° (Ver): 46.5° ~13.5° (Dia): 82.7° ~ 22.4 °

Day & Night Support Mechanical ICR and 12pcs IR LEDs, triggered by sensor
IR distance: 15m
IR wavelength: 850nm
Bean Angle: 40°

Video

Video Image Compression H.264 / MPEG4 / MJPEG

Video Setting Auto Exposure Control: Sport, Normal, Night Vision, User Defined
Auto Gain Control: 1X~5X
Shutter Speed: 1/24500~1/5s

Image Resolution **16:10**
- 1280 x 800
- 640 x 400
- 320 x 392
16:9
- 1280 x 720
- 640 x 352
- 320 x 176
4:3
- 640 x 480
- 320 x 240

Frame Rate at Max. Resolution H.264: 30 fps
MPEG4: 15 fps
MJPEG: 30 fps

Audio

Audio Streaming Two-way audio support

Audio Compression G.711, AMR (8 kHz, Mono, PCM)

Audio Input External microphone or line input (Unbalanced, 1.4 Vp-p, 1 Vrms)

Audio output Line output

Network

Communication Ethernet : one 10/100Mbps RJ-45
Supported Protocols : TCP/IP, UDP, ICMP, DHCP, NTP, DNS, DDNS, SMTP, FTP, HTTP, Samba, PPPoE, UPnP, RTP, RTSP,

General

Interface & Buttons RJ45 Connector (for Ethernet and POE)
Terminal block (for Audio in/out, DIDO)
Terminal block (for Power)
Embedded SD/SDHC memory card slot (**VD-100Ap**)

Power input High Power PoE / DC48V/0.8A

LEDs Status (Power/Link)

Power consumption Max Power Consumption : 25 watts

Environment Water Proof: IP67
VD-100Ae
Operating Temperature : -20°C ~ 50°C (-4°F ~122°F)
VD-100Ap
Operating Temperature : -40°C ~ 60°C (-40°F ~140°F), build in fan and heater

Operating Humidity : 10% ~ 80%

Dimension 144(D) X 114 (H) mm

Weight Net: 1100 g
Gross: 1430 g

Certification FCC, CE

Warranty Limited 2-year warranty

Brickcom Corporation Headquarters

Address: No.1 Jen Ai Rd, Hsinchu Industrial Park, Hukou, Hsinchu, Taiwan, R.O.C. 303 Tel: + 886-3-5982022 Fax: + 886-3-5982023
Mail: info@brickcom.com http://www.brickcom.com

(* These are optional features. Please refer to the Buying Guide for the full list of optional features available for this product.